

FISH SIZE INDICATOR

Model

FCV-2100



Photo: 19" Marine Display MU-190HD
(Customer Supply)



By combining Split Beam technology with FURUNO's TruEcho CHIRP™ technology, we have simultaneously improved fish size measurement and achieved higher-resolution echo image. This makes it easier to discern fish outlines in order to detect fish size in densely packed shoals within the mid-surface layer zone, or to discriminate single fish near the seabed.

FISH DISTRIBUTION

The fish distribution display shows the targeted fish's position and movement. Fish echoes from the latest three scans are displayed, color of circle indicates strength of individual fish echo, which helps to track schools.



Vertical target graph

Horizontal target graph

Photo: 19" Marine Display MU-190HD
(Customer Supply)

FISH SIZE INDICATOR

Model

FCV-2100

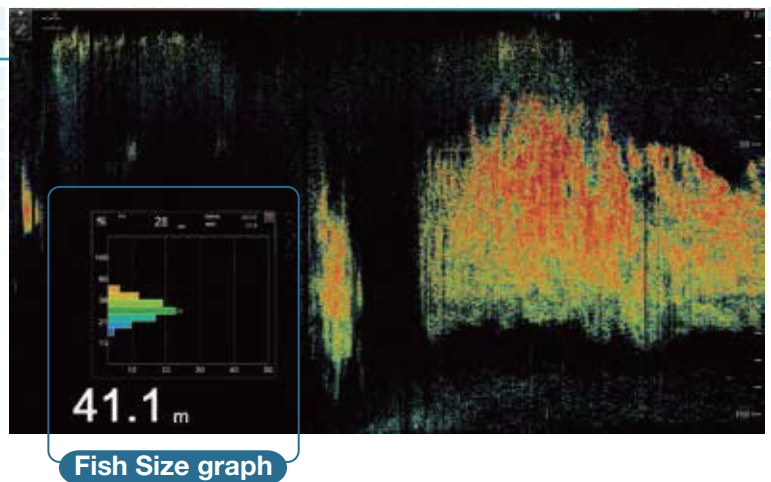
Advanced Fish Size Measurement Technology!

- Combining Split Beam and TruEcho CHIRP™ technologies -

Displays extremely reliable fish size measurements in easy-to-grasp graph form

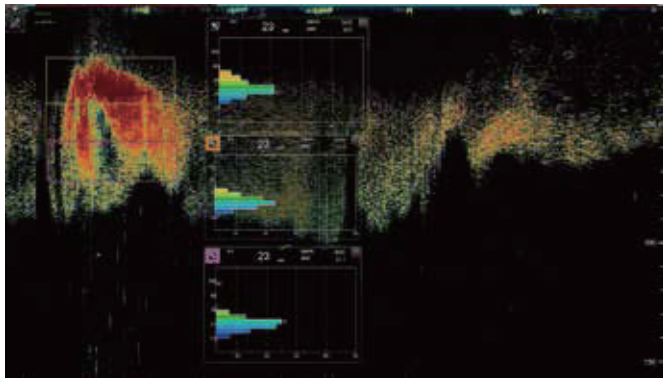
The FCV-2100 measures the size of fish and the proportion in which they exist in detected shoals, and represents this in a graph that can be understood at a glance. Its TruEcho CHIRP™ technology has improved the accuracy of fish size measurements and the reliability of the graphs.

* Fish length is a reference value calculated from reflection intensity.

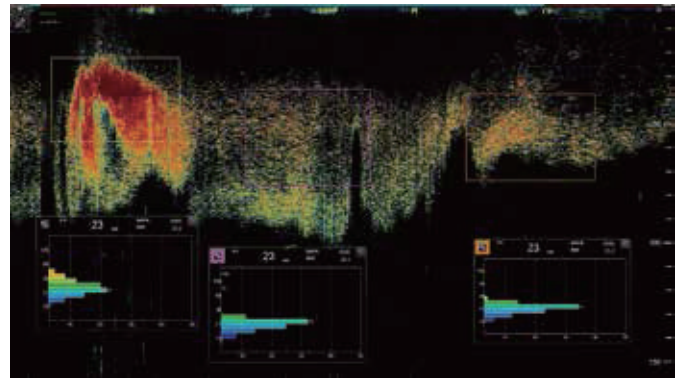


Simultaneously displays fish size measurements in three locations

The FCV-2100 can measure fish size measurement ranges in three locations and display them on the screen at the same time. Being able to compare and analyze fish size composition in the middle of a shoal can contribute to more efficient operations, such as selecting and aiming to catch fish of a particular size.

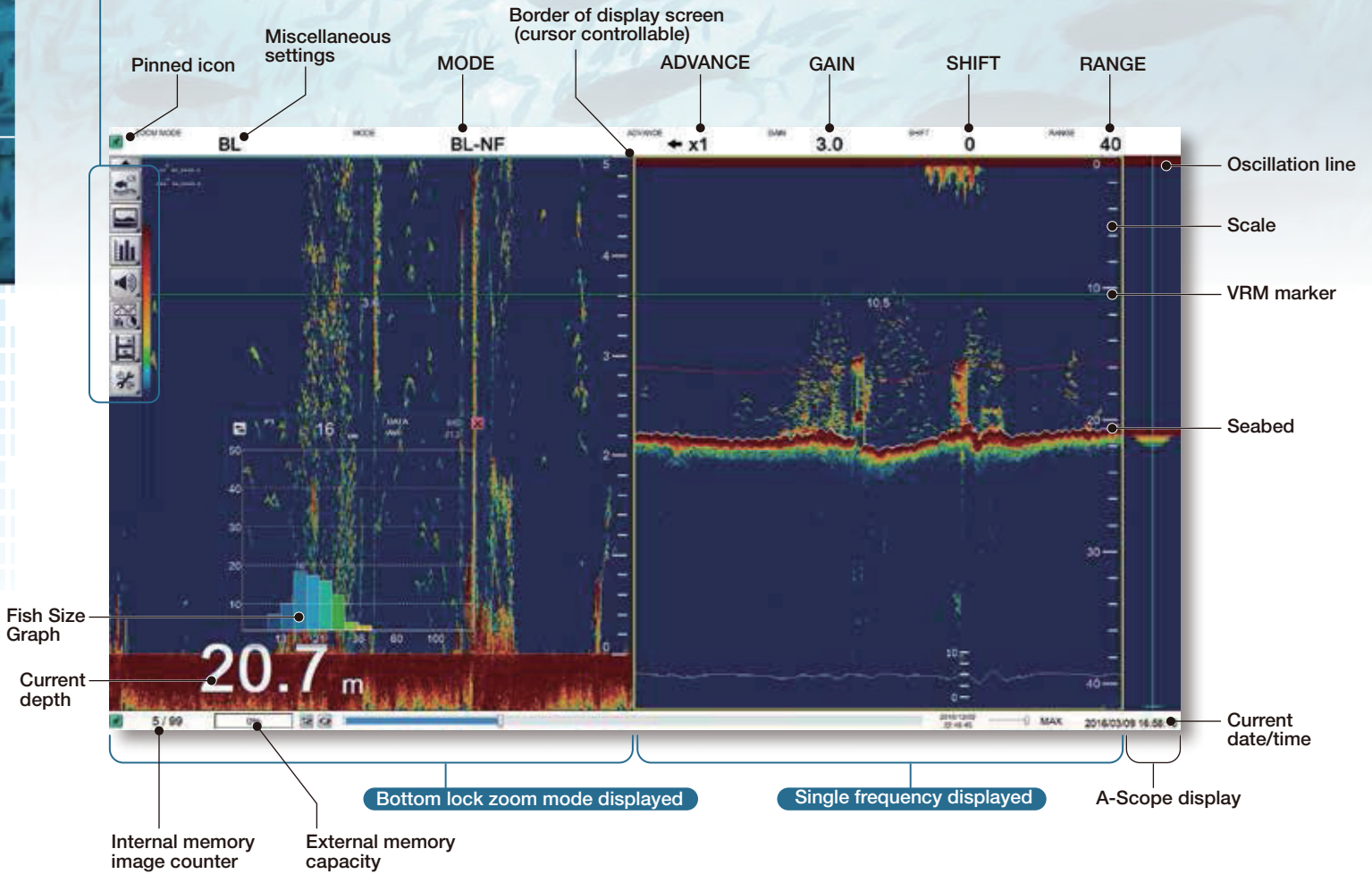


Example of fish size graph of sardines at different densities



Example of fish size graph of sardines over time

Instant Access Bar™



Simple operation with trackball and Instant Access Bar™

The FCV-2100 can be operated easily and quickly with its trackball. The screen header also contains Range, Shift, Sensitivity, Image Feed, and Display Mode menus that can be immediately accessed when required. Other functions can also be accessed immediately by setting them in the Instant Access Bar™ as desired*.

* Up to 10 icons can be set in the Instant Access Bar™



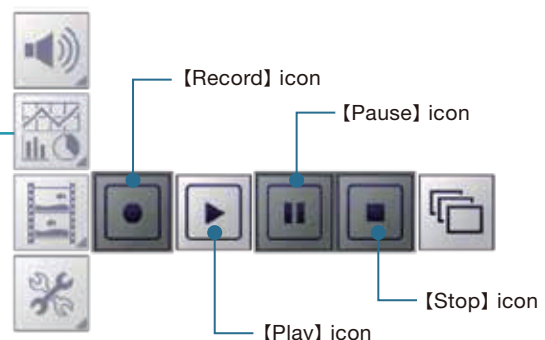
Trackball unit (option)



Still images and echo data can be recorded and played back

A maximum of 99 still images can be saved on the transceiver unit. The maximum number that can be saved externally depends on the capacity of the external recording medium*. Echo data can also be saved onto an external recording medium of 500 GB or more*.

* Optional





■ Handy scroll-back mode for viewing images again

By scrolling the screen back, you can check previous fish search images again.

■ Contributes to operation evaluation and efficient fishing

By identifying the approximate size of the targeted fish beforehand, the FCV-2100 enables selective fishing and helps to make operations more efficient.

■ Can be connected to an external fish finder (DFF3/DFF1-UHD network fish finder*)

Up to three search responses at different frequencies can be displayed on one screen. The response for each type of fish can be seen at a glance, which helps to identify species.

* DFF3/DFF1-UHD network fish finders are sold separately. Only one can be connected.

■ Compact transducer is easy to install

The transducer is 16-cm in diameter and easy to install onto the bottom of a boat.

■ Various functional add-ons by connecting external sensors

■ Sediment distinguishing function* displays seabed sediment graphically and in color.*

* Requires an externally connected network fish finder (DFF1-UHD) or designated transducer.

■ ACCU-FISH™ function* gives the size of an individual fish at a glance*

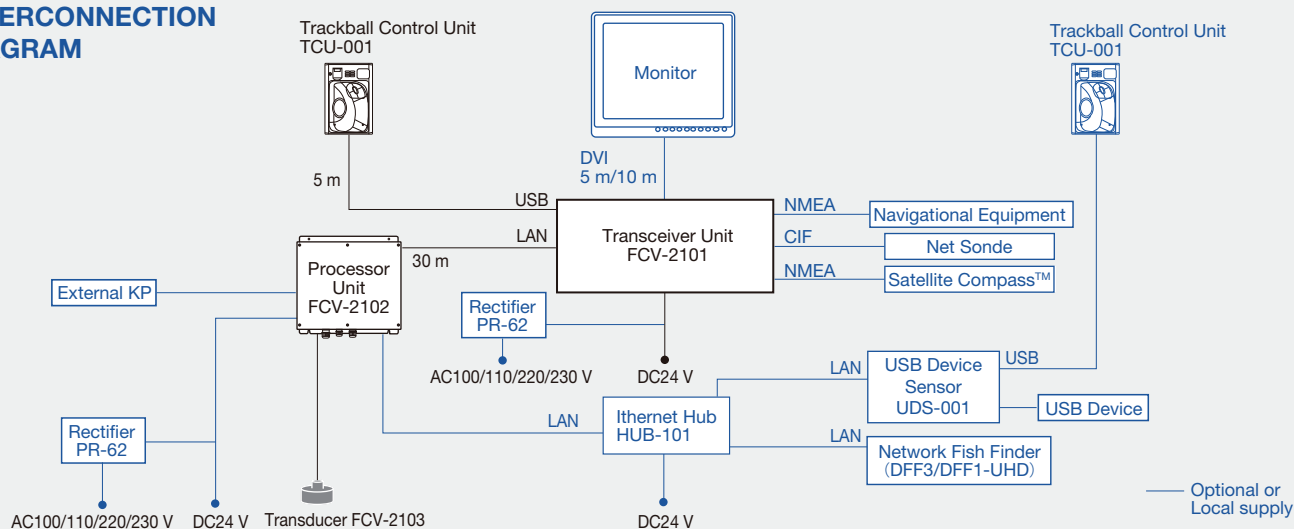
* Requires an externally connected network fish finder (DFF3/DFF1-UHD) or an ACCU-FISH™ compatible transducer.

■ Stable searching with heaving correction function*

The heaving (up and down motion of a ship) corrective function enables the shape of the seabed to be displayed stably even in rough waters.*

* Requires connection of a Satellite Compass™.

INTERCONNECTION DIAGRAM



FISH SIZE INDICATOR

Model **FCV-2100**

SPECIFICATIONS

1. GENERAL

Transmitting frequency 100 kHz nominal
Output power 1 kW, FM transmission
Transmitting rate 800 pulse/min or less
Pulselength 0.04 ms

2. PROCESSOR UNIT

Color indication 64 colors (16 colors setting available)
Hue 8 steps (Standard, Hue1 to 6, customized)
Echo display mode Single mode, Zoom, External sounder display
Zoom display Bottom-lock expansion, Bottom zoom, Marker zoom, Discrimination zoom
Fish size measurement Histogram
Depth range 10 to 800 m
Range shift 800 m max.
Expansion range 5 to 200 m
Display advance speed 6 steps (Lines/TX: Freeze, 1/4, 1/2, 1/1, 2/1, 4/1)
Data recording Echo pictures and raw data can be recorded (The raw data recording requires external memory)
Language English, French, Japanese, Norwegian, Spanish

3. INTERFACE

Number of port
Main monitor 1 port
 DVI-D, XGA (1024x768), SXGA (1280x1024), Full HD (1920x1080), UXGA (1600x1200), WUXGA (1920x1200)
Sub monitor 2 ports
 DVI: 1 port, RGB: 1 port (Vertical sync: 70 Hz), XGA only
NMEA 3 ports, NMEA0183 V1.5/2.0/3.0
LAN 1 port, Ethernet, 100Base-TX (processor unit - transceiver unit)
USB 3 ports, USB2.0 (type-A)
CIF 1 port
External KP control 1 port
NMEA0183 data sentences Input: GGA, GLL, GNS, MTW, VHW, VTG, ZDA
 Output: DBS, DBT, DPT, MTW, TLL
 Output proprietary sentences PFEC: SDafl, SDbtm, SDflg, SDmrk, pidat

4. POWER SUPPLY

Transceiver unit 24 VDC, 1.6 A
Processor unit 24 VDC, 2.5 A
Rectifier (PR-62, option) 100/110/220/230 VAC, 1 phase, 50/60 Hz

5. ENVIRONMENTAL CONDITIONS

Ambient temperature Transceiver unit: -15°C to +55°C (storage: -30°C to +70°C)
 Processor/TRackball control unit: -15°C to +55°C
Relative humidity Processor/Transceiver unit: IP22
 Trackball control unit: IP22 (IPX0: USB cover opened)
Degree of protection 95 %以下 (+40°C)
Vibration IEC60945 Ed.4

EQUIPMENT LIST

Standard

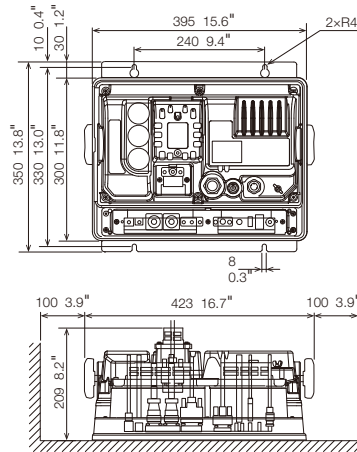
1. Processor Unit FCV-2101
2. Trackball Control Unit TCU-001 with 5 m cable
3. Transceiver Unit FCV-2102
4. Transducer FCV-2103 with 30 m cable
5. Spare parts, Installation materials

Option

Rectifier PR-62, DVI-D/D S-LINK Cable, Ethernet HUB-101, LAN Cable, USB Device Server UDS-001, Flush mount kit for trackball control unit OP14-70, Kingston, Installation materials

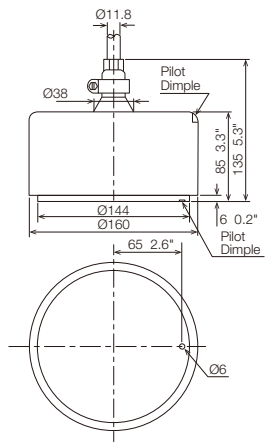
PROCESSOR UNIT

FCV-2101
8.0 kg 17.6 lb



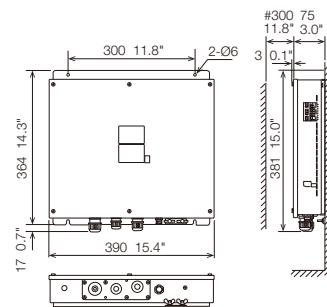
TRANSCEIVER UNIT

FCV-2103
7.0 kg 15.4 lb



TRANSDUCER

FCV-2102
5.5 kg 12.1 lb

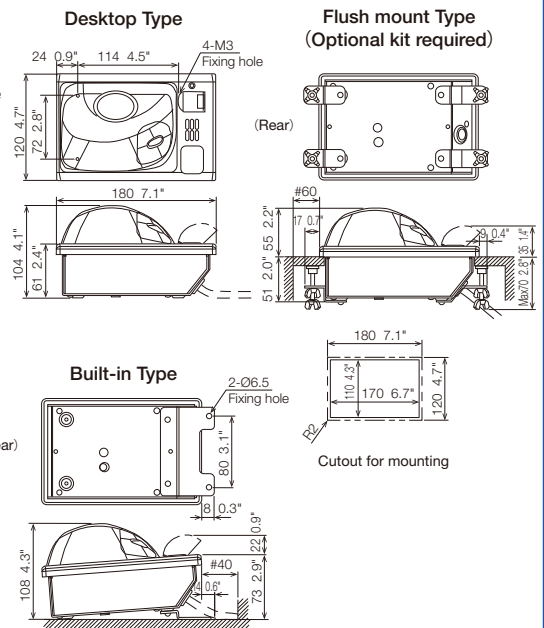


TRACKBALL CONTROL UNIT TCU-001

Desktop type
1.2 kg 2.6 lb

Built-in type
1.3 kg 2.9 lb

Flush mount type
1.3 kg 2.9 lb



Beware of similar products

All brand and product names are registered trademarks, trademarks or service marks of their respective holders.

SPECIFICATIONS SUBJECT TO CHANGE WITHOUT NOTICE

FURUNO ELECTRIC CO., LTD.

Nishinomiya, Hyogo, Japan
www.furuno.com

FURUNO U.S.A., INC.

Camas, Washington, U.S.A.
www.furunousa.com

FURUNO (UK) LIMITED

Havant, Hampshire, U.K.
www.furuno.co.uk

FURUNO FRANCE S.A.S.

Bordeaux-Mérignac, France
www.furuno.fr

FURUNO ITALIA S.R.L.

Gatteo Mare, Italy
www.furuno.it

FURUNO ESPAÑA S.A.

Madrid, Spain
www.furuno.es

FURUNO DANMARK A/S

Hvidovre, Denmark
www.furuno.dk

FURUNO NORGE A/S

Ålesund, Norway
www.furuno.no

FURUNO SVERIGE AB

Västra Frölunda, Sweden
www.furuno.se

FURUNO FINLAND OY

Espoo, Finland
www.furuno.fi

FURUNO POLSKA Sp. z o.o.

Gdynia, Poland
www.furuno.pl

FURUNO EURUS LLC

St. Petersburg, Russian Federation
www.furuno.com.ru

FURUNO SINGAPORE PTE LTD

Singapore
www.rico.com.sg

FURUNO DEUTSCHLAND GmbH

Rellingen, Germany
www.furuno.de

FURUNO HELLAS S.A.

Piraeus, Greece
www.furuno.gr

FURUNO (CYPRUS) LTD

Limassol, Cyprus
www.furuno.com.cy

FURUNO CHINA CO., LTD.

Hong Kong

FURUNO SHANGHAI CO., LTD.

Shanghai, China
www.furuno.com/cn

1-A-1608PDF

Catalogue No. CA00001015