

# FURUNO®

Excellent Fish/Seabed Discrimination  
Customizable Nav Data Display

## 6-INCH LCD SOUNDER

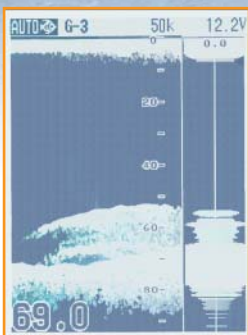
Model **LS-6100**

- 50/200 kHz Dual Frequency Transceiver
- High power 300 W rms
- Advanced high-contrast direct sunlight monochrome LCD
- Customizable Nav Data Display\*
- User programmable function key
- Trip log or odometer log
- "White line" and "Sea-Through" technology discriminates echoes on the seabed or anywhere in the water column
- Wind direction and speed display\*
- "Mini-navigator" feature provides 12 "Go To" waypoints with programmable names for primary or back-up navigation\*
- Unique Bottom-Lock Fish Alarm mode provides consistent audible bottom fish detection in varying depths

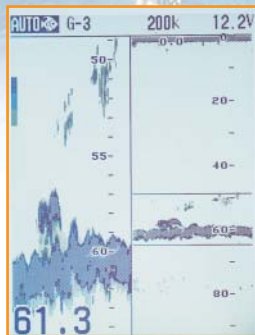
\*With Appropriate Sensors



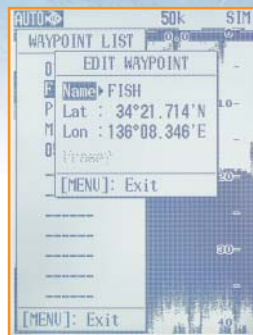
Single freq  
(50 kHz) with  
A-scope,  
Reverse mode



Bottom Zoom  
with white line



Waypoints



Text Nav Data



Graphical  
Nav Data



The future today with FURUNO's electronics technology.

**FURUNO ELECTRIC CO., LTD.**

9-52 Ashihara-cho, Nishinomiya City, Japan Phone: +81 (0)798 65-2111  
Fax: +81 (0)798 65-4200, 66-4622 URL: www.furuno.co.jp

Catalogue No. E-388h

TRADE MARK REGISTERED  
MARCA REGISTRADA

The LS-6100 is a new dual frequency sounder designed for a variety of pleasure craft and coastal fishing boats. It features a 6" high-definition silver bright LCD screen that offers a remarkably detailed picture of fish and bottom structure. The LS-6100 offers dual frequency capabilities, both 50 and 200 kHz, and has an outstanding 300 Watt rms (2400 Watt peak) output power, making this sounder the leader in its class.

Basic display modes include single LF/HF, Dual, Bottom-Lock Expansion, Bottom-Zoom, A-scope and Marker Zoom and two Nav Data Display modes.

The LS-6100 works as a handy navigational organizer when connected to an appropriate transducer or external nav sensor. It can display a variety of information including: water temperature, wind direction/speed, Lat/Lon, XTE and distance run in a graphical or text form.

With a GPS Receiver Input, the "Mini-Navigator" feature

is capable of storing up to 12 "Go To" waypoints with programmable names. Any of the waypoints can be selected as a destination. Range/Bearing, Course-to-Steer, and XTE to the destination waypoint is shown to provide detailed navigation data. The LS-6100 has a new Target Data Output feature that allows the output of Lat/Lon position and depth of a target specified by Cursor Position, along with temperature data when a temperature sensor is connected. This feature helps determine the depth of your tackle.

Choose from a variety of modes, including manual or two auto modes, fishing or cruising. The cruising mode uses a higher clutter rejection setting than the fishing mode, making it useful to track the bottom while cruising.

The range can be changed manually or automatically; the LS-6100 will redraw an entire echogram so that the contour can be shown seamlessly.

## SPECIFICATIONS OF LS-6100

- Display** 6-inch monochrome LCD, 4 gray tones, 240 (H) x 320 (V) pixels
- Frequency** 50 and 200 kHz
- Output Power** 300 W rms
- Display Modes** Normal (Single/Dual), Bottom-Zoom, Bottom-Lock Expansion, Marker Zoom, 2 pages Nav Data and A-scope
- Basic Range** (m, ft, fa, p/b can be selected in menu) 2 to 500 m
- Range Phasing** Up to 500 m
- Bottom-lock Range** 3 to 10 m selectable in menu
- Zoom Scale** 2 to 50 m selectable in menu
- Picture Advance** Stop, 1/16, 1/8, 1/4, 1/2, 1/1, 2/1, 4/1
- Pulselength and Pulse Repetition Rates**

Range (m)	5-30	80	150	200	300
Pulselength (ms)	0.22	0.32	0.42	0.62	0.82
PRR (Pulses/min)	500	256	167	136	100

- Interface** (NMEA 0183 Ver. 1.5/2.0/3.0)  
NMEA connector can be set on menu for IN or IN/OUT

Input: RMA, RMB, RMC, GGA, VTG, VHW, MTW, XTE, BWC, MDA, GLL, HDT, HDG, MWV

Output: Water depth (SDDPT), Speed\* (VWVHW), Water temperature\* (YCMTW), Target position (SDTLL)\*\*, Position/Depth/Temp (PFECXXX)\*\*

\* When connected with a transducer with speed and temperature sensor

\*\* When connected with a GPS

- Alarm** Bottom, Fish, Temp, Speed and Battery
- Language** English, French, Spanish, German, Italian, Portuguese, Danish, Japanese

### POWER SUPPLY

12 VDC, 7 W

**ENVIRONMENT** (Display Unit)  
Temperature: -15°C to +55 °C (IEC 60945)  
Waterproofing: IPX5 (IEC 60529), CFR-46 (USCG standard)

### EQUIPMENT LIST

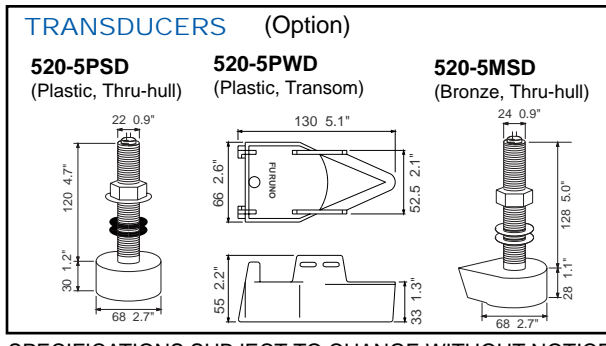
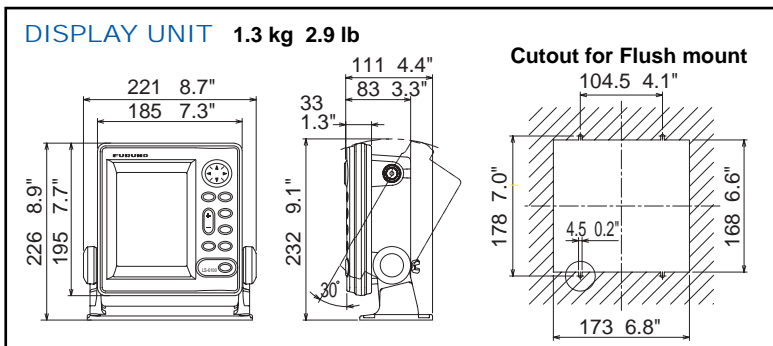
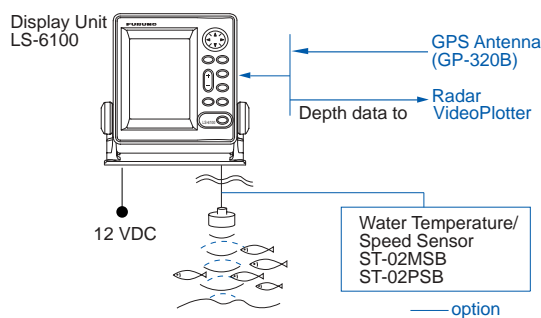
#### Standard

- Display Unit
- Installation Materials and Standard Spare Parts

#### Option

- NMEA Cable MJ-A15A7F0005-020
- Cable for Speed/Temperature Sensor 02S4147-1
- Inner Hull Kit 22S0191-0
- Transducer (*Specify when ordering*)  
520-5PSD (Plastic, Thru-hull)  
520-5PWD (Plastic, Transom)  
520-5MSD (Bronze, Thru-hull)  
*with speed/temperature sensor;*  
525ST-PWD (Plastic, Transom)  
525ST-MSD (Bronze, Thru-hull)
- Y Adaptor Cable for GP-310B

### INTERCONNECTION DIAGRAM



SPECIFICATIONS SUBJECT TO CHANGE WITHOUT NOTICE

**FURUNO U.S.A., INC.**  
Camas, Washington, U.S.A.  
Phone: +1 360-834-9300  
Fax: +1 360-834-9400

**FURUNO (UK) LIMITED**  
Havant, Hampshire, U.K.  
Phone: +44 23 9244 1000  
Fax: +44 23 9228 4316

**FURUNO FRANCE S.A.**  
Bordeaux-Mérignac, France  
Phone: +33 5 56 13 48 00  
Fax: +33 5 56 13 48 01

**FURUNO ESPAÑA S.A.**  
Madrid, Spain  
Phone: +34 91-725-90-88  
Fax: +34 91-725-98-97

**FURUNO DANMARK AS**  
Hvidovre, Denmark  
Phone: +45 36 77 45 00  
Fax: +45 36 77 45 01

**FURUNO NORGE A/S**  
Ålesund, Norway  
Phone: +47 70 102950  
Fax: +47 70 102951

**FURUNO SVERIGE AB**  
Västra Frölunda, Sweden  
Phone: +46 31-7098940  
Fax: +46 31-497093

**FURUNO FINLAND OY**  
Espoo, Finland  
Phone: +358 9 4355 670  
Fax: +358 9 4355 6710

**FURUNO POLSKA Sp. z o.o.**  
Gdynia, Poland  
Phone: +48 58 669 02 20  
Fax: +48 58 669 02 21

**FURUNO DEUTSCHLAND GmbH**  
Rellingen, Germany  
Phone: +49 4101 838 0  
Fax: +49 4101 838 111

**LLC "FURUNO EURUS"**  
Petersburg, Russia  
Phone: +7 812 767 15 92  
Fax: +7 812 766 55 52

PRINTED WITH SOYINK. 07023Y Printed in Japan

