



Mobile Earth Station

Model: FELCOM18/19



# MES

INMARSAT Mobile Earth Station

Proven solutions for Inmarsat  
fully incorporated SSAS and



## Features of FELCOM18

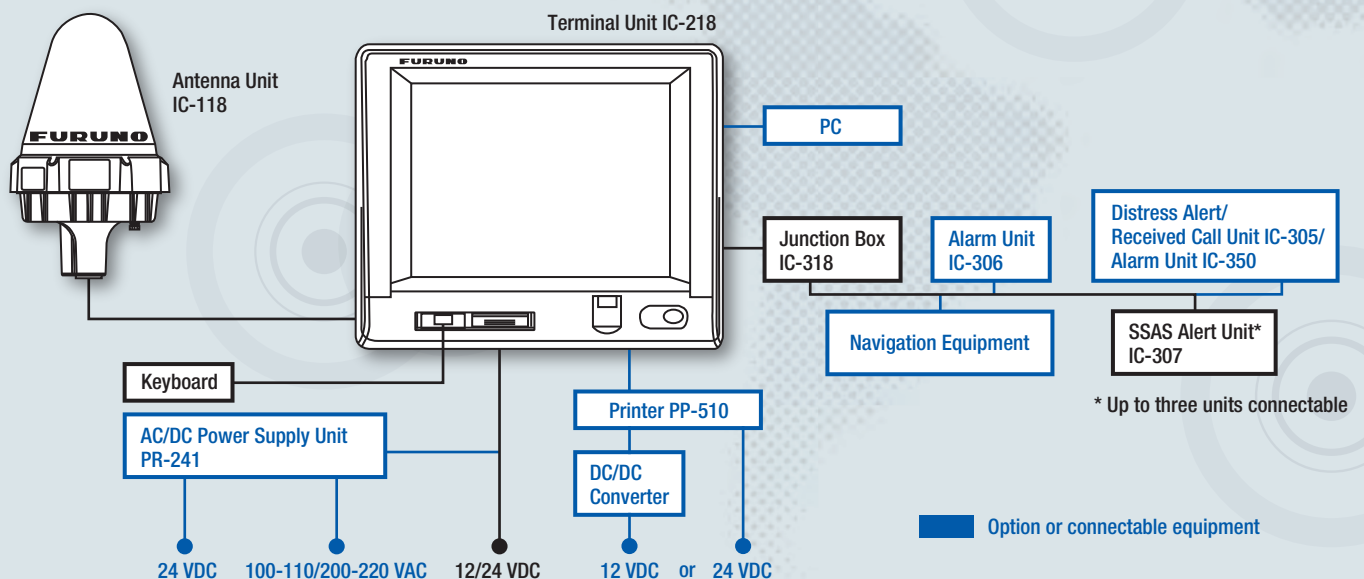
- ▶ Inmarsat-C Ship Earth Station terminal for GMDSS application
- ▶ Full GMDSS compliance with optional printer and AC/DC power supply
- ▶ SSAS capability with SSAS Alert Units
- ▶ Compatibility with LRIT application
- ▶ Compatible with the following standard:  
IMO A.570(14), IMO A.664(16), IMO A.694(17), IMO A.807(19), IMO MSC.147(77), IMO MSC.36(63), IMO MSC.68(68) Annex 4, IMO MSC.97(73), IMO MSC.263.(84), MSC/Circ.862, IEC 60945 Ed. 4, IEC 61097-4 Ed. 2, IEC 61162-1 Ed. 4
- ▶ A wide variety of communication schemes available: telex, FAX, emailing, EGC, Data reporting/polling, etc.
- ▶ SD card for recording media
- ▶ GPS receiver (option)

Compatible with:



Model: FELCOM18

## Interconnection Diagram



# Inmarsat-C/Inmarsat MINI-C services and LRIT capabilities



Compatible with:

**LRIT**  
Long-Range Identification and Tracking of ships

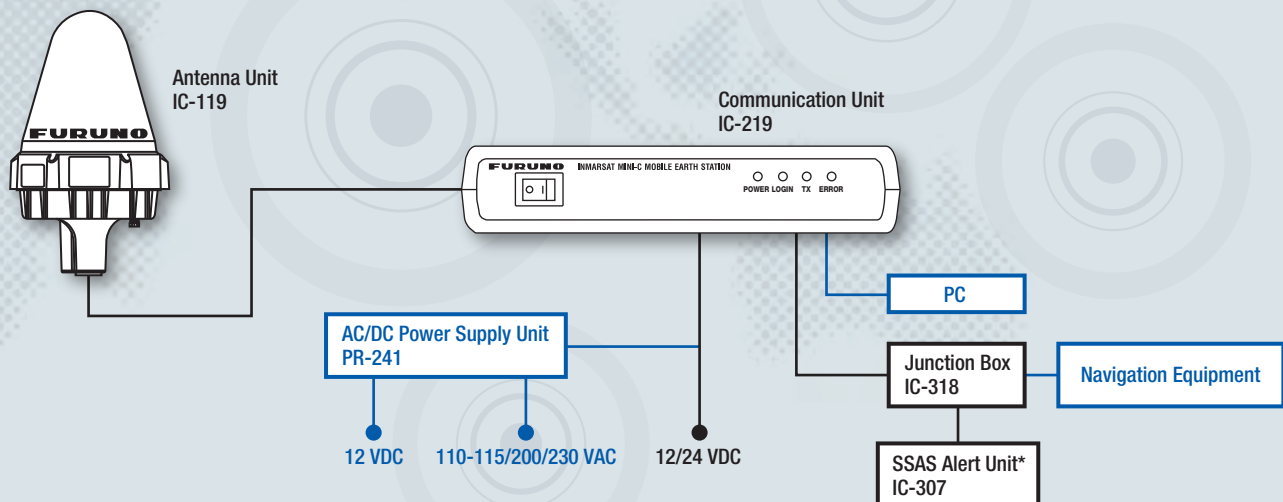
**SSAS**  
Ship Security Alert System

## Features of FELCOM19

- ▶ Inmarsat MINI-C Mobile Earth Station terminal
- ▶ Compatibility with LRIT application
- ▶ SSAS capability with SSAS Alert Units
- ▶ A wide variety of communication schemes available:  
telex, FAX, emailing, EGC (non-GMDSS), Data reporting/polling, etc.
- ▶ GPS receiver incorporated
- ▶ Black-box configuration allows flexible installation

Model: FELCOM19

## Interconnection Diagram



Option or connectable equipment

\* Up to three units connectable

## SPECIFICATIONS

Product Name		Inmarsat-C Mobile Earth Station <b>FELCOM18</b>	Inmarsat MINI-C Mobile Earth Station <b>FELCOM19</b>
Frequency	TX:	1626.5-1646.5 MHz	
	RX:	1537.0-1544.2 MHz	
Channel Spacing	5 kHz		
Modulation Rate and format	TX:	600, 1200 sps Unfiltered BPSK	
	RX:	1200 sps Unfiltered BPSK	
Minimum G/T	-23.0 dB/K (at elv. 5°)		
Output Power	12-16 dBW (at elv. 5°)		7-16 dBW (at elv. 5°)
12-24 VDC			
Power Supply	TX:	less than 130 W	less than 50 W
	RX:	less than 60 W	less than 10 W

## EQUIPMENT LIST

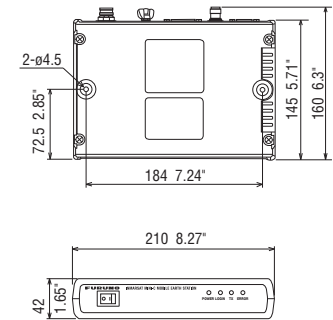
Standard	1 Antenna Unit with 30 m cable IC-118	1 unit	1 Antenna Unit with 30 m cable IC-119	1 unit
	2 Terminal Unit with keyboard IC-218	1 unit	2 Communication Unit IC-219	1 unit
	3 Junction Box IC-318	1 unit	3 Junction Box IC-318*	1 unit
	4 SSAS Alert Unit IC-307*	2 unit	4 SSAS Alert Unit IC-307*	2 unit
	5 Installation materials		5 Installation materials	
	*applicable only for SSAS specification			
Option	1 Distress Alert/Received Call Unit IC-305		1 AC/DC Power Supply Unit PR-241	
	2 Alarm Unit IC-306		2 SSAS Alert Unit IC-307**	
	3 AC/DC Power Supply Unit PR-241		3 Junction Box IC-318**	
	4 GPS Board Kit		4 Printer PP-520	
	5 SSAS Alert Unit IC-307**		**applicable only for non-SSAS specification	
	6 Printer PP-520			
	**applicable only for non-SSAS specification			

## ENVIRONMENT

Temperature	Antenna Unit	-35 to +55°C (Storage: +70°C)
	BDE	-15 to +55°C
Relative Humidity	40°C 95%	
Degree of protection	Antenna Unit	IP56
	Terminal Unit	IP22
	Printer/Keyboard	IPX0
	Others	IP22 (bulkhead mount)
Vibration	IEC 60945 Ed.4	

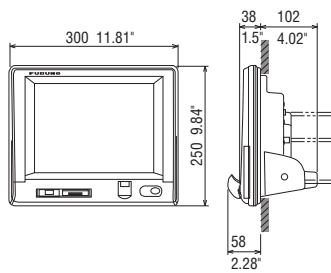
## Communication Unit

**IC-219**  
1.2 kg 2.65 lb



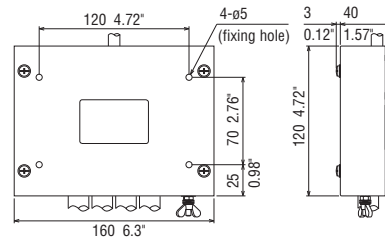
## Terminal Unit

**IC-218**  
4.2 kg 9.26 lb



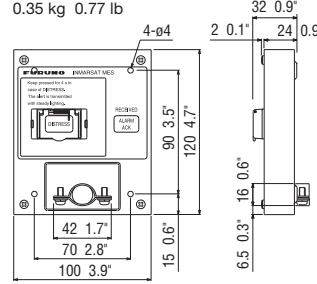
## Junction Box

**IC-318**  
weight: TBC



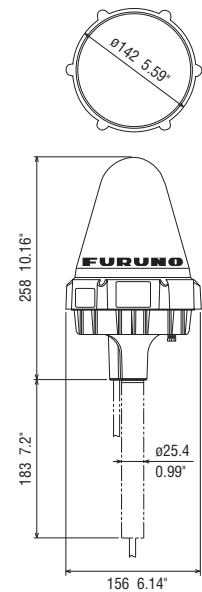
## Distress Alert/Received Call Unit

**IC-305**  
0.35 kg 0.77 lb



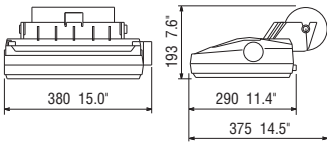
## Antenna Unit

**IC-118/IC-119**  
1.4 kg 3.09 lb



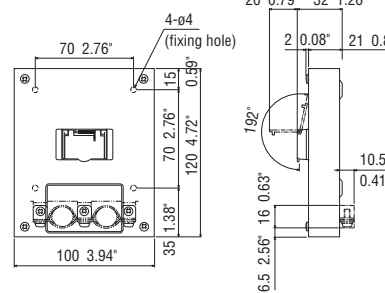
## Printer

**PP-520**  
4.8 kg 10.6 lb



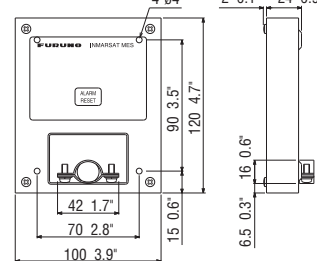
## SSAS Alert Unit

**IC-307**  
0.35 kg 0.77 lb



## Alarm Unit

**IC-306**  
0.33 kg 0.7 lb



Beware of similar products

All brand and product names are registered trademarks, trademarks or service marks of their respective holders.

SPECIFICATIONS SUBJECT TO CHANGE WITHOUT NOTICE

**FURUNO ELECTRIC CO., LTD.**  
Japan | www.furuno.com

**FURUNO U.S.A., INC.**  
U.S.A. | www.furunousa.com

**FURUNO PANAMA S.A.**  
Republic of Panama | www.furuno.com.pa

**FURUNO (UK) LIMITED**  
U.K. | www.furuno.co.uk

**FURUNO NORGE A/S**  
Norway | www.furuno.no

**FURUNO DANMARK A/S**  
Denmark | www.furuno.dk

**FURUNO SVERIGE AB**  
Sweden | www.furuno.se

**FURUNO FINLAND OY**  
Finland | www.furuno.fi

**FURUNO POLSKA Sp. z o.o.**  
Poland | www.furuno.pl

**FURUNO DEUTSCHLAND GmbH**  
Germany | www.furuno.de

**FURUNO FRANCE S.A.S.**  
France | www.furuno.fr

**FURUNO ESPAÑA S.A.**  
Spain | www.furuno.es

**FURUNO ITALIA S.R.L.**  
Italy | www.furuno.it

**FURUNO HELLAS S.A.**  
Greece | www.furuno.gr

**FURUNO (CYPRUS) LTD**  
Cyprus | www.furuno.com.cy

**FURUNO SHANGHAI CO., LTD.**  
China | www.furuno.com/cn

**FURUNO CHINA CO., LTD.**  
Hong Kong | www.furuno.com/cn

**FURUNO KOREA CO., LTD**  
Korea

**FURUNO SINGAPORE**  
Singapore | www.furuno.sg

**PT FURUNO ELECTRIC INDONESIA**  
Indonesia | www.furuno.id

**FURUNO ELECTRIC (MALAYSIA) SND. BHD.**

Malaysia | www.furuno.my